



LuK Service Info



Venting process of CSC 510 0097 10

Modified hydraulic connection

Manufacturer: Dacia
Nissan
Renault

For current listing refer to parts catalog

The hydraulic connection of concentric slave cylinder 510 0097 10 has been modified. It now corresponds to the configuration used in current vehicle production. Unlike in the previous design (Photo 2, right), now two clips (Photo 2, left) are provided at the hydraulic connection point. Prior to installing the concentric slave cylinder, take note of the type of connector on the vehicle side, because a specific air removal procedure must be followed depending on the design.

When installing the new concentric slave cylinder, all connectors must first be pushed in all the way to the stop. In so doing, both clips must be closed.

Air removal procedure for vehicle-side connector with short flange (Photo 1):

1. Open clip 2
2. Open clip 1
3. Pull the line out till it reaches the first stop
4. Close clip 1
5. Close clip 2
6. Pull the line out till it reaches the second stop (Photo 3)
7. Connect the air removal device and switch it on
8. Remove air till liquid discharge is free of bubbles
9. Push the line on till it reaches the stop (Photo 4)
10. Switch off the air removal device and remove it

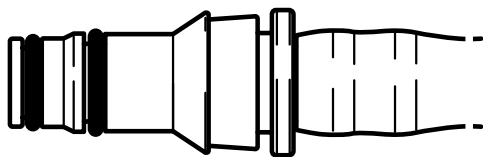


Photo 1: Vehicle-side connector with short flange

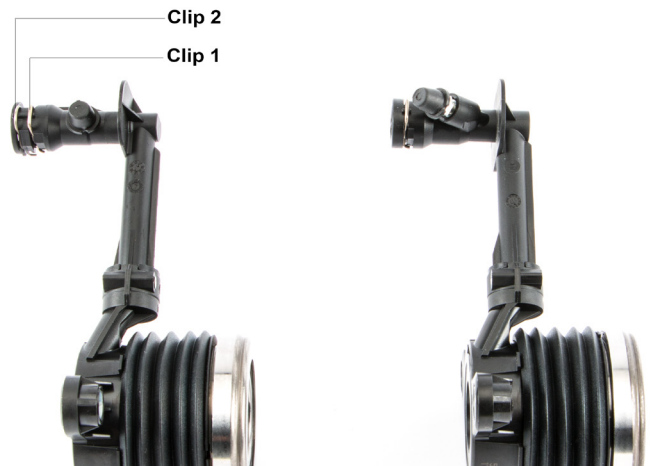


Photo 2: Previous design with one clip (right), new design with two clips (left)

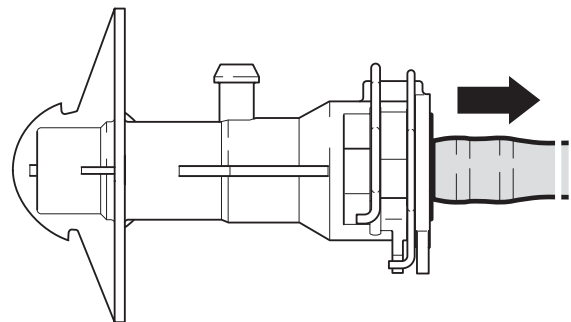


Photo 3: With the connector pulled out and the clips closed, the air removal hole is free

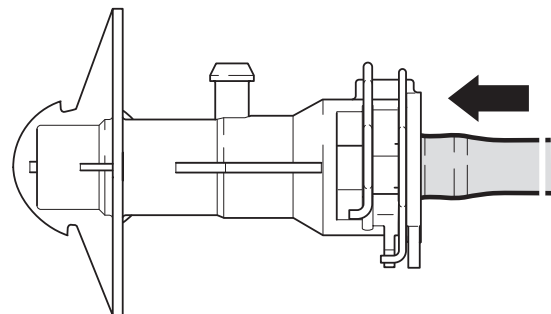


Photo 4: With the connector pushed in and the clips closed, the air removal hole is closed

Air removal procedure for vehicle-side connector with long flange (Photo 5):

1. Open clip 2
2. Open clip 1
3. Pull the line out till it reaches the stop (Photo 6)
4. Connect the air removal device and switch it on
5. Remove air till liquid discharge is free of bubbles
6. Close clip 1
7. Close clip 2
8. Push the line on till it reaches the stop (Photo 7)
9. Switch off the air removal device and remove it

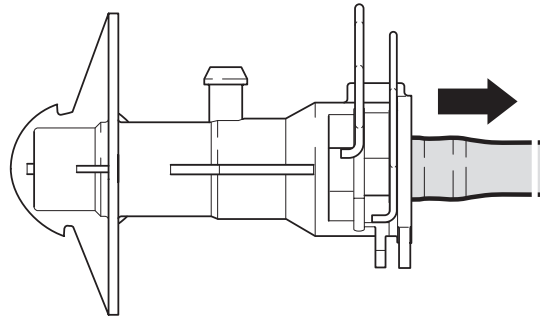


Photo 6: With the connector pulled out and the clips opened, the air removal hole is free

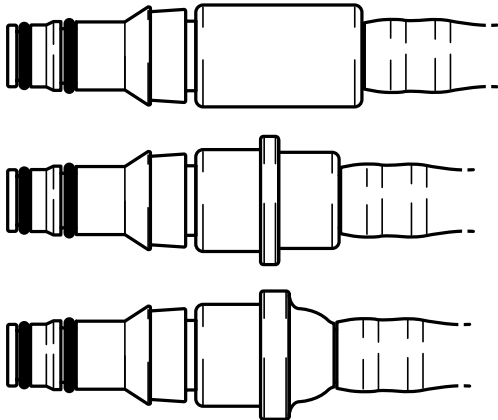


Photo 5: Vehicle-side connections with long flange

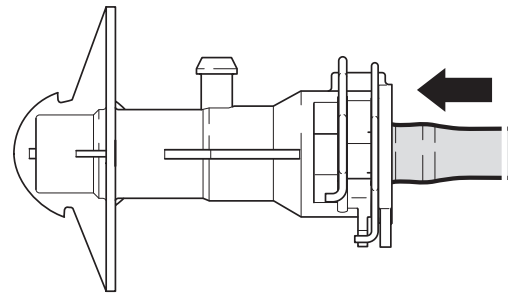


Photo 7: With the connector pushed in and the clips closed, the air removal hole is closed

Please observe the vehicle manufacturer specifications!

You want more? We can help!

Phone: +44 (0) 1432 264 264
Fax: +44 (0) 1432 375 760
aftermarket.uk@schaeffler.com
www.repxpert.co.uk